

StrainBox XL

DATA SHEET



The StrainBox XL enables critical and defective lithium-ion batteries to be transported and safely stored in compliance with ADR. Size and construction have been specifically designed for the storage and transport of battery modules, such as those installed in battery electric propulsion vehicles.

All StrainBox series products are equipped with an integrated filter system which filters out most of the toxic gases. Dust and particles that are harmful to health are retained and the escape of solids, liquids and flames is prevented.

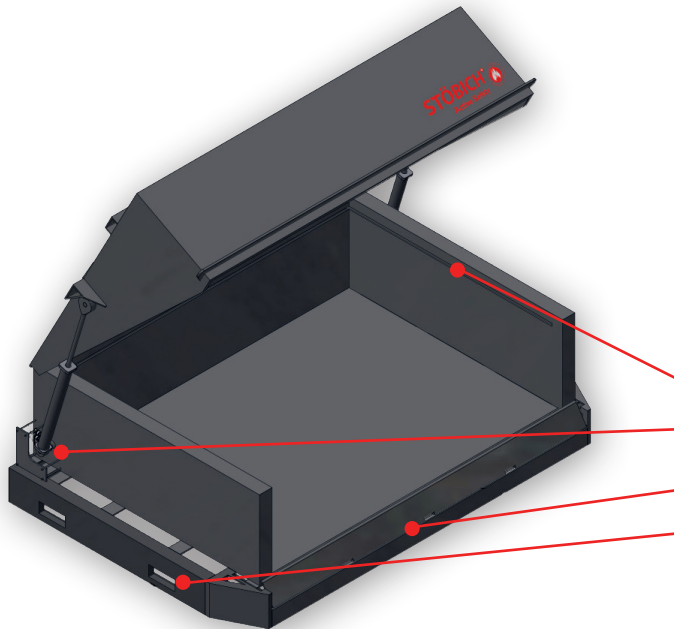
The integrated thermal management unit ensures that there is no critical increase in the temperature of the outer walls. This prevents contamination around the box in case the batteries inside are damaged.

To protect persons and assets, the StrainBox XL also has the typical safety features that are only provided by the products of the Stöbich Group. These include the filter system, the mechanically stable construction and the integrated thermal management unit.

Main features

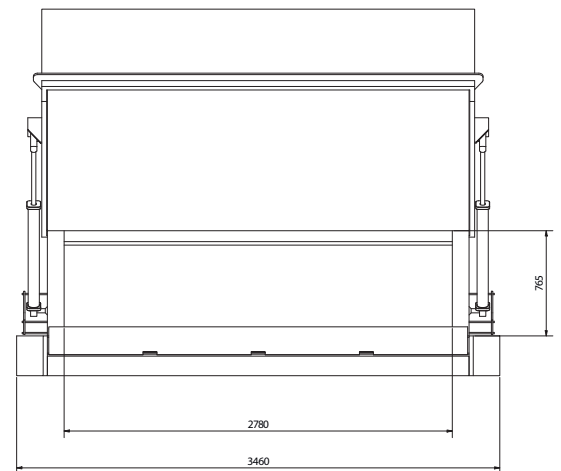
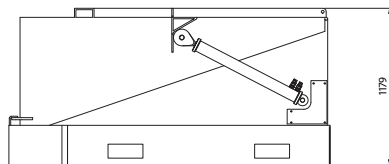
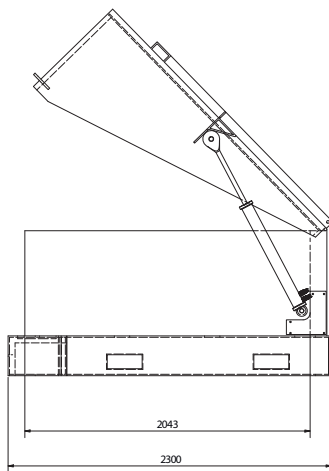
- ADR-conform transport of non-critical lithium-ion batteries
- Pressure-resistant design
- Integrated gas filter system
- Mechanical resistance
- Certified overall system
- No escaping sparks or flames
- Retention of fluids and solids
- Also for defective lithium-ion batteries suitable
- Secure and reliable lock
- Neutralisation of generated harmful gases
- Protection of persons and assets
- Absorption and discharge of thermal energy
- No dusty filling materials are used
- Reusable after treatment

PRODUCT PROPERTIES



Technical Data StrainBox XL	
Outside dimensions	L x B x H · 3,460 x 2,300 x 1,179 mm
Inside dimensions	L x B x H · 2,780 x 2,043 x 765 mm
Permissible energy content	125 kWh (max)
useful volume	4,345 litres
Dead weight	3,200 kg
Approval	ADR compliant Approved for round cells, depending on cell geometry and chemistry

- Gas filter system**
- Hydraulic cylinder with hydraulic unit**
- Locking system**
- Reinforced frame with transport apertures**



The dimensions may be adapted to customer requirements after prior consultation.

Version 1.1 · We reserve the right to make technical changes without notice